

# 16-25 Hydraulic Casing Tong

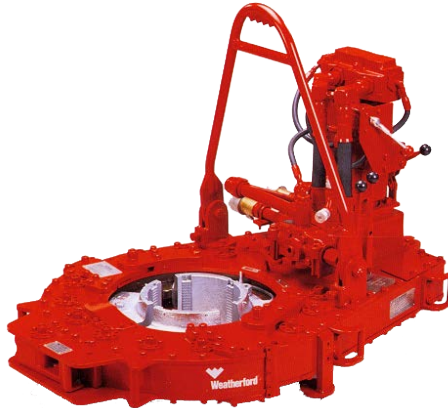
Provides torque capabilities up to 25,000 ft-lb for running and pulling 6 5/8- to 16-in. casing

## Applications

- Running and pulling 6 5/8- to 16-in. casing

## Features and Benefits

- The tong is lightweight and easy to operate, which improves efficiency and enhances safety.
- The tong design enables the operator to switch between makeup and breakout modes by moving a single pin, which saves time and increases operational efficiency.
- The hydraulic door interlock prevents tong operation while the doors are open or unlatched, which enhances safety.
- An optional lift cylinder quickly adjusts to varying connection and stump heights for increased versatility.
- Multiple contact points distribute gripping forces, thereby reducing the risk of casing damage.
- The optional hydraulic free-floating backup virtually eliminates shearing and bending when making up or breaking out connections, thereby reducing casing deformation and improving long-term wellbore integrity.
- Compatibility with JAMPro™ torque-control systems enables real-time monitoring of torque, turns, and speed for increased efficiency.



The 16-25 hydraulic casing tong easily converts from makeup to breakout mode.

## Tool Description

The Weatherford 16-25 hydraulic casing tong provides 25,000 ft-lb (33,900 N•m) of torque capacity for running and pulling 6 5/8- to 16-in. casing. At the heart of this versatile and lightweight tong is a unique gated rotary that completely encircles the casing. The tool provides as many as seven contact points that distribute gripping forces over a greater area than conventional tongs to create a positive grip without damaging the casing.

## Specifications

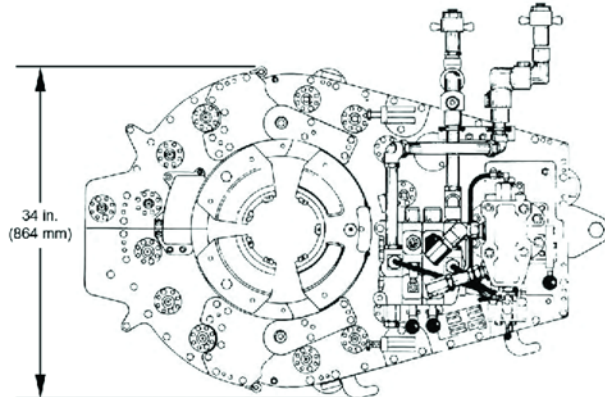
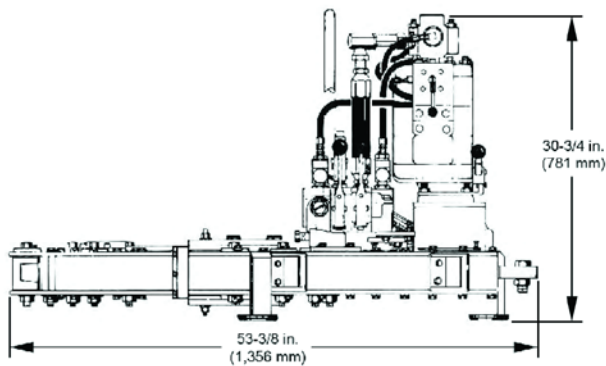
Rated torque in low gear	25,000 ft-lb (33,900 N•m)
Rated speed in high gear	93 rpm
Tong dimensions (length x width x height)	34 x 54 x 31 in. (864 x 1,356 x 782 mm)
Torque arm length	32 in. (813 mm)
Weight	1,075 lb (488 kg)
Nominal power requirement flow – casing mode	60 to 80 gal/min (227 to 303 L/min)
Nominal power requirement flow – tubing mode	30 to 40 gal/min (114 to 152 L/min)



# 16-25 Hydraulic Casing Tong



Operators can add the optional integral free-floating backup to help ensure proper connection makeup and long-term wellbore integrity.



The standard 16-25 hydraulic casing tong can accommodate tubulars from  $6\text{-}5/8$  to  $13\text{-}3/8$  inches in diameter.

