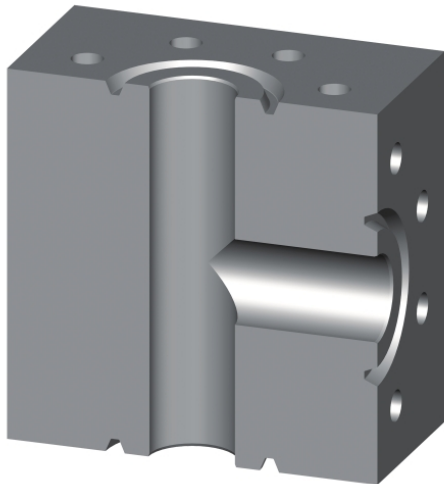




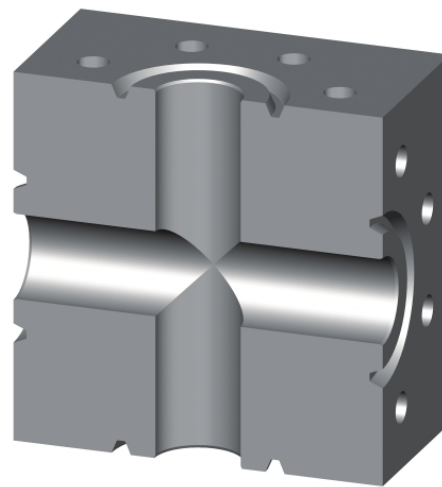
Tees and Crosses

Weatherford offers a complete line of tees and crosses to facilitate optimal wellhead configuration and provide fluid access points, inlets and outlets wherever they are required. All tees and crosses are made to Weatherford's high standards to ensure secure seals in high-pressure conditions.

Studded Tees



Studded Crosses





Tees and Crosses

Specifications

Run (in. to PSI)	Outlets (in. to PSI)	Weight (lb)
2-1/16 to 2,000	2-1/16 to 2,000	95
2-1/16 to 5,000	2-1/16 to 5,000	160
2-9/16 to 2,000	2-1/16 to 2,000	125
2-9/16 to 5,000	2-1/16 to 5,000	395
3-1/8 to 2,000	2-1/16 to 2,000	165
	3-1/8 to 2,000	198
3-1/8 to 3,000	2-1/16 to 5,000	264
	3-1/8 to 5,000	264
3-1/8 to 5,000	2-1/16 to 5,000	300
	3-1/8 to 5,000	414
4-1/16 to 2,000	2-1/16 to 2,000	231
	4-1/16 to 2,000	405
4-1/16 to 3,000	2-1/16 to 5,000	374
	4-1/16 to 3,000	495
4-1/16 to 5,000	2-1/16 to 5,000	407
	2-9/16 to 5,000	447
	3-1/8 to 5,000	488
	4-1/16 to 5,000	565
1-13/16 to 10,000	1-13/16 to 10,000	191
1-13/16 to 15,000	1-13/16 to 15,000	257
2-1/16 to 10,000	1-13/16 to 10,000	191
	2-1/16 to 10,000	191
2-1/16 to 15,000	1-13/16 to 15,000	257
	2-1/16 to 10,000	257
2-9/16 to 10,000	1-13/16 to 10,000	246
	2-1/16 to 10,000	246
	2-9/16 to 10,000	286
2-9/16 to 15,000	1-13/16 to 10,000	389
	2-1/16 to 15,000	389
3-1/16 to 10,000	2-1/16 to 10,000	370
	2-9/16 to 10,000	407
	3-1/16 to 10,000	480
4-1/16 to 10,000	2-1/16 to 10,000	486
	2-9/16 to 10,000	537
	3-1/16 to 10,000	614
	4-1/16 to 10,000	702

Other sizes available upon request.