

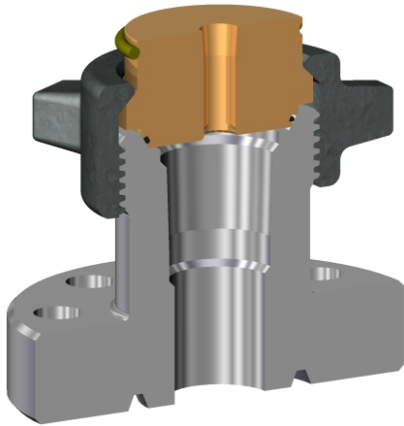


Tree Caps

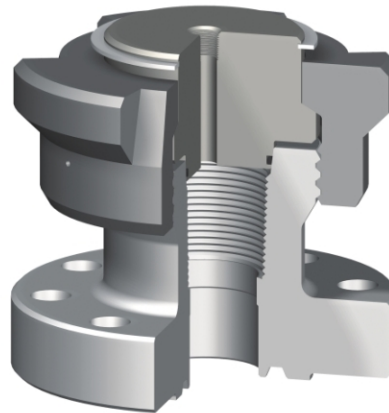
Models WFT-15A and WFT-11-AO

Weatherford's WFT-15A and WFT-11-AO tree caps, installed on top of Christmas trees, provide ready access to the tubing bore for installation of backpressure valves, bottomhole testing, swabbing and paraffin scraping.

WFT-15A



WFT-11-AO



Specifications

Bottom Flange (in. to PSI)	Bore (in.)	Lift Thread (in.)	Weight (lb)
2-1/16 to 10,000			84
2-1/16 to 15,000	2-1/16	2-3/8 EUE	90
2-9/16 to 10,000			88
2-9/16 to 15,000	2-9/16	2-7/8 EUE	95
3-1/16 to 10,000			95
3-1/16 to 15,000	3-1/16	3-1/2 EUE	103
4-1/16 to 10,000	4-1/16	4-1/2 EUE	103

Other sizes available on request.